

PCT SERIES

PC MOUNT FUSES



TIME DELAY FUSES FOR DIRECT MOUNTING ON PRINTED CIRCUIT BOARDS

Ferraz Shawmut's new PCT series of time-delay, direct-mountable fuses addresses the increasing need for electrical protection at the PC board as current and voltage requirements push higher. These fuses help printed circuit board manufacturers reduce parts by eliminating clips and fuse blocks and allowing automated assembly. PCT fuses can be used for the protection of main frame power boards, small circuit breakers with low interrupting ratings and other components. PCT fuses bring protection with time delay, greatly increased ampere, voltage and interrupting ratings to the board itself and are UL Component Recognized

HIGHLIGHTS:

- Time Delay
- PC Board Mount
- Three Mounting Styles

APPLICATIONS:

- Protection of main frame power boards, circuit breakers, components

Ratings

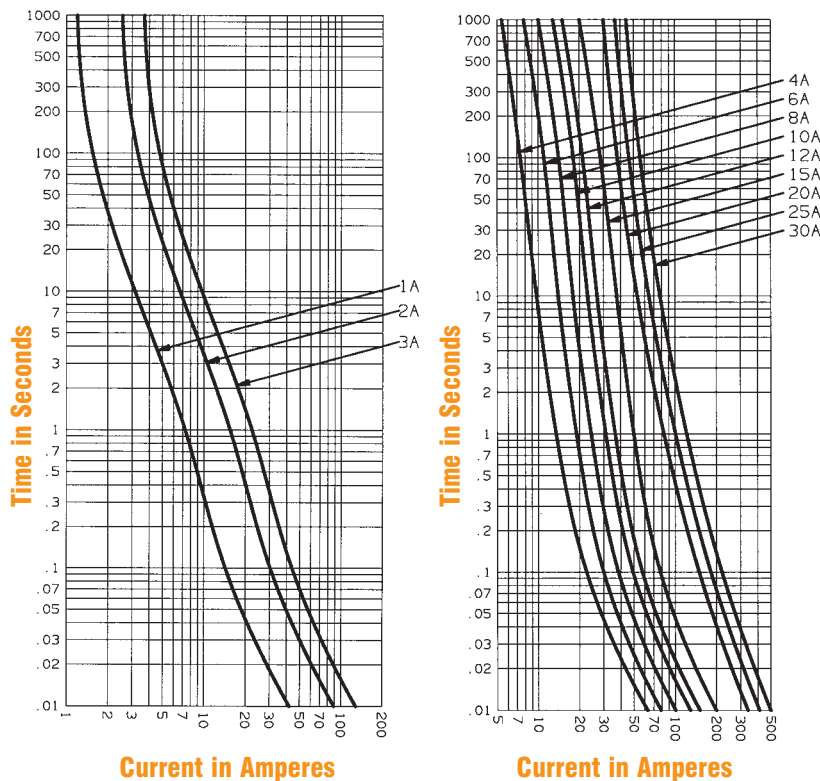
- AC: 1 to 30A
500VAC, 100kA

Approvals

- UL Recognized Components
File E60314



Melting Time – Current Data



Standard Fuse Ampere Ratings, Catalog Numbers

AMPERE RATING	CATALOG NUMBER	AMPERE RATING	CATALOG NUMBER
Slot Mount			
1	PCT1-R	8	PCT8-R
2	PCT2-R	10	PCT10-R
3	PCT3-R	12	PCT12-R
4	PCT4-R	15	PCT15-R
5	PCT5-R	20	PCT20-R
6	PCT6-R	25	PCT25-R
7	PCT7-R	30	PCT30-R
Double Hole Mount			
1	PCT1-H	8	PCT8-H
2	PCT2-H	10	PCT10-H
3	PCT3-H	12	PCT12-H
4	PCT4-H	15	PCT15-H
5	PCT5-H	20	PCT20-H
6	PCT6-H	25	PCT25-H
7	PCT7-H	30	PCT30-H
Surface Mount			
1	PCT1-S	8	PCT8-S
2	PCT2-S	10	PCT10-S
3	PCT3-S	12	PCT12-S
4	PCT4-S	15	PCT15-S
5	PCT5-S	20	PCT20-S
6	PCT6-S	25	PCT25-S
7	PCT7-S	30	PCT30-S

Dimensions of the PCT Series are found on page C 29

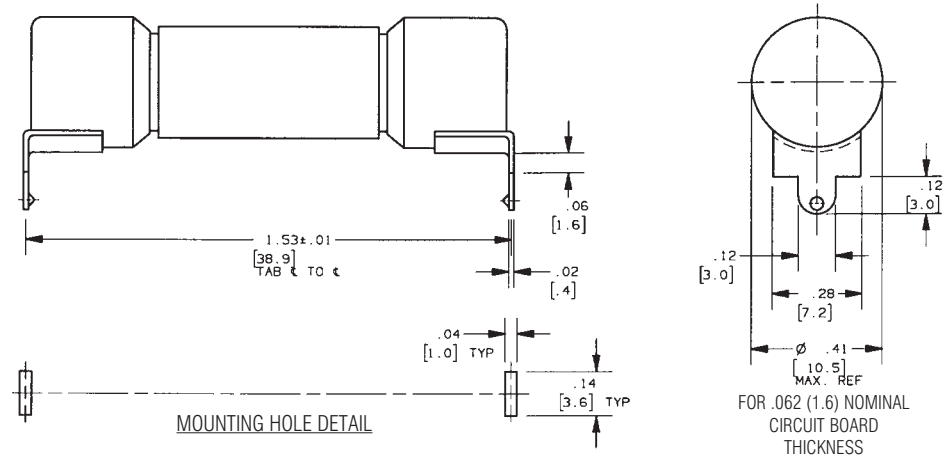
PCF/PCS/PCT SERIES

PC MOUNT FUSES

Outline Dimensions

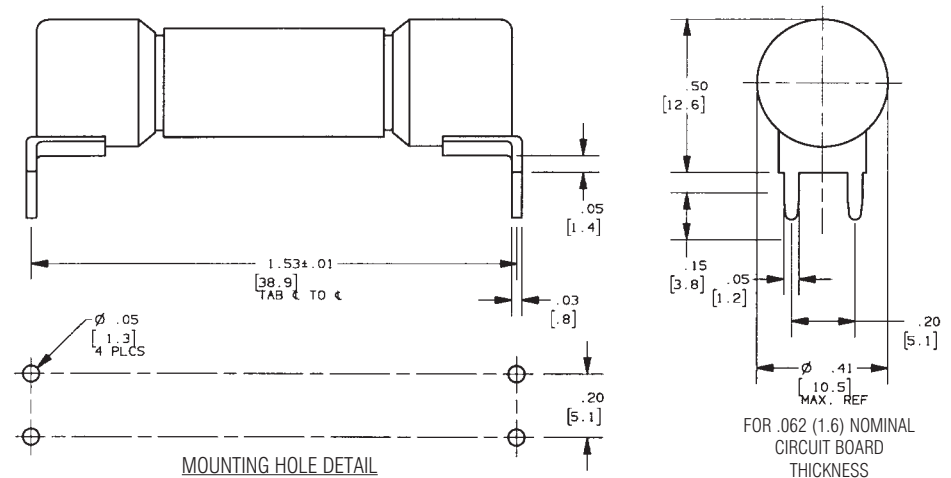
PCF1-R thru PCF30-R
PCS5-R thru PCS40-R
PCT1-R thru PCT30-R

Slot Mount (Rectangular Holes)



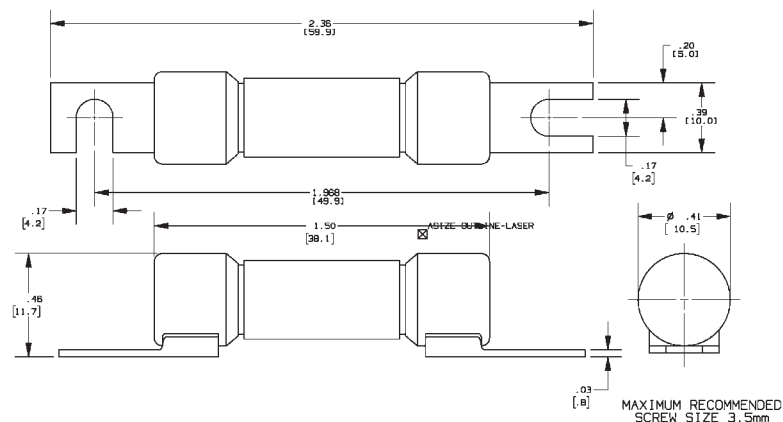
PCF1-H thru PCF30-H
PCS5-H thru PCS40-H
PCT1-H thru PCT30-H

Double Hole Mount (Round Holes)



Surface (Screw) Mount

PCF1-S thru PCF30-S
PCS5-S thru PCS40-S
PCT1-S thru PCT30-S



MAXIMUM RECOMMENDED
SCREW SIZE #6 (3.5mm)